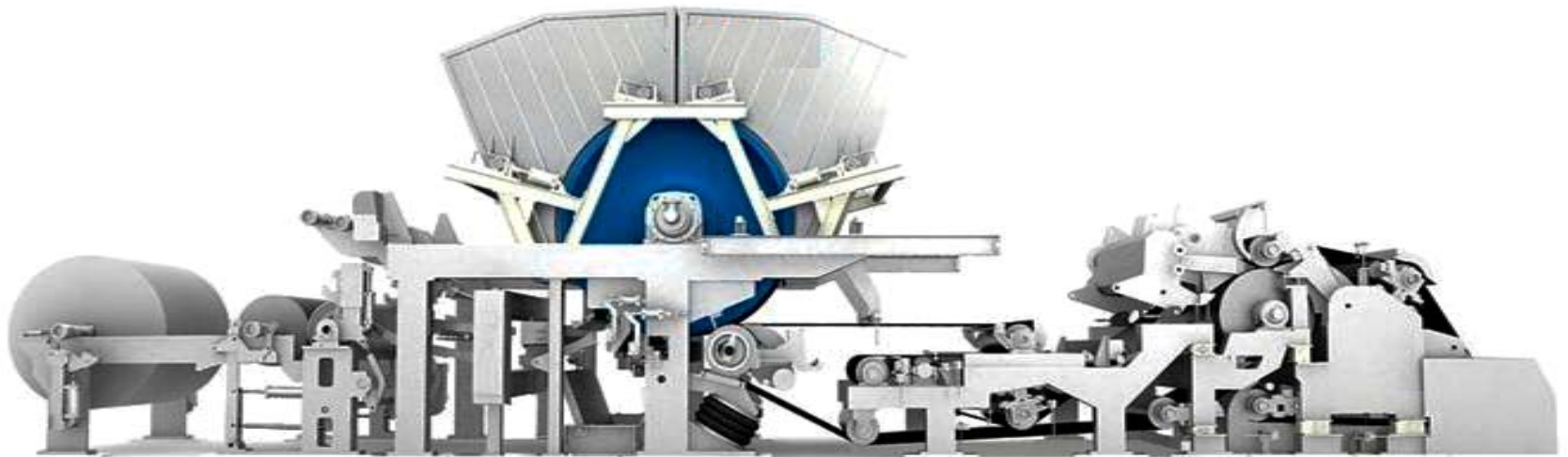


EcoTissue 60 Machine



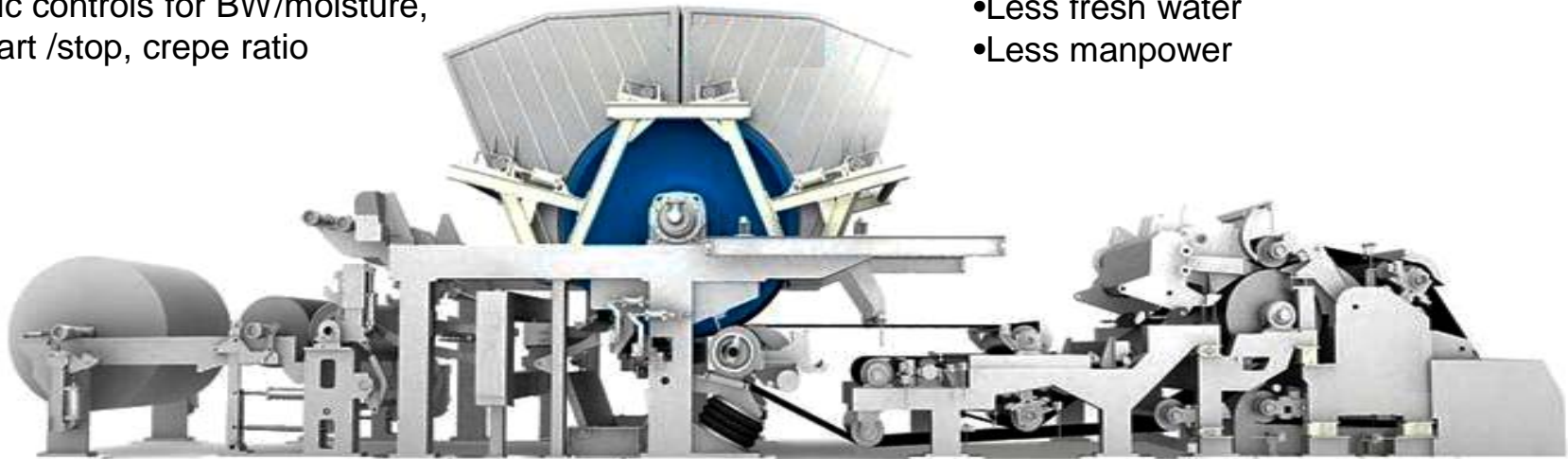
EcoTissue 60 Benefits:

High Machine Efficiency

- Modern chemical shower
- Fast wire / felt change
- No paper trims
- Less rejects
- Automatic controls for BW/moisture, speed, start /stop, crepe ratio

Low Consumption Per Ton

- Less raw material
- Less electric power
- Less steam
- Less chemical
- Less fresh water
- Less manpower



High Safety Features

- Explosion proof yankee
- Pressure relief for steam
- Guards for turning
- Maintenance platforms
- Auto threading/turn-up

Low Maintenance

- Easy wire/felt change
- Reliable/strong parts
- Easy oil/grease lubrication points

Excellent Paper Quality

- Excellent formation
- High strength
- Low MD/CD ratio
- High softness/bulk

Andritz Step Diffuser Headbox *made in Austria*

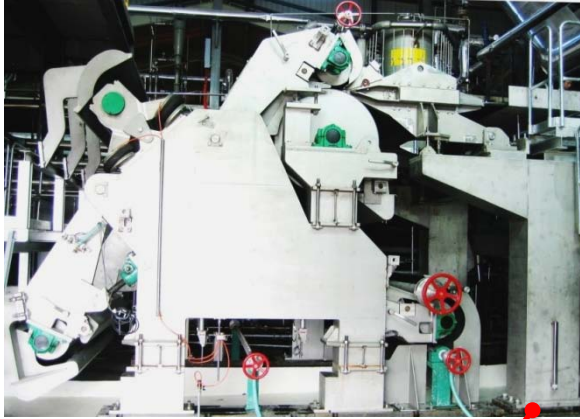


Benefits:

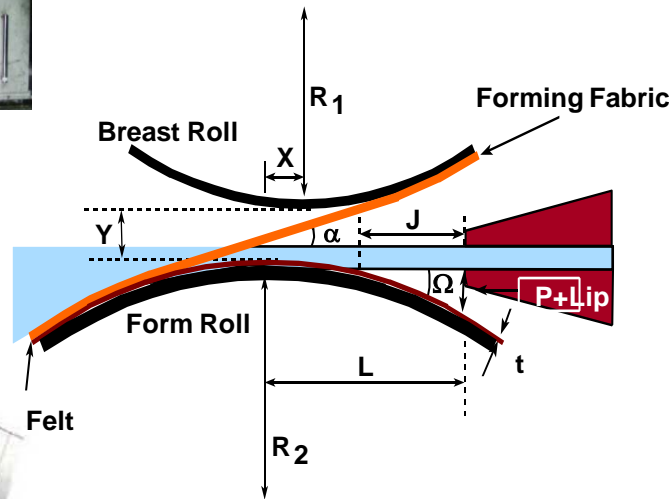
- Uniform profile
- Excellent formation
- No formation aid required
- Adjustable slice
- Adjustable geometry
- High BW range 12-40 gsm



Crescent Former

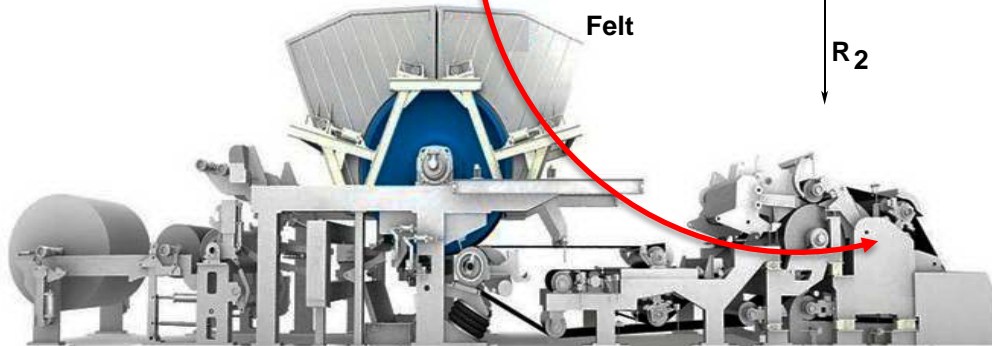


Geometry

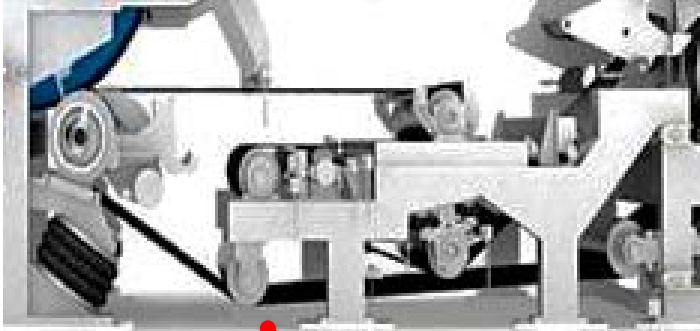


Benefits:

- Low MD/CD ratio
- High strength
- Wide range of speed 350-1200m /min.
- Low power consumption
- Less raw material
- Easy wire change
- Easy to clean out
- No paper trim
- Excellent guiding



Felt Run

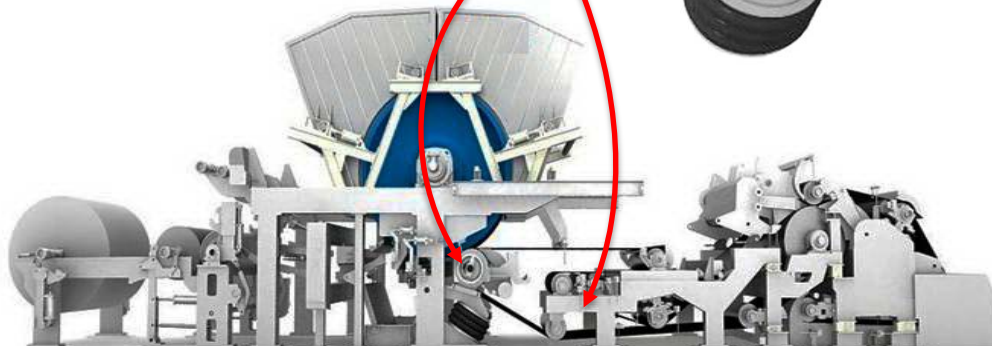


Suction Press Roll



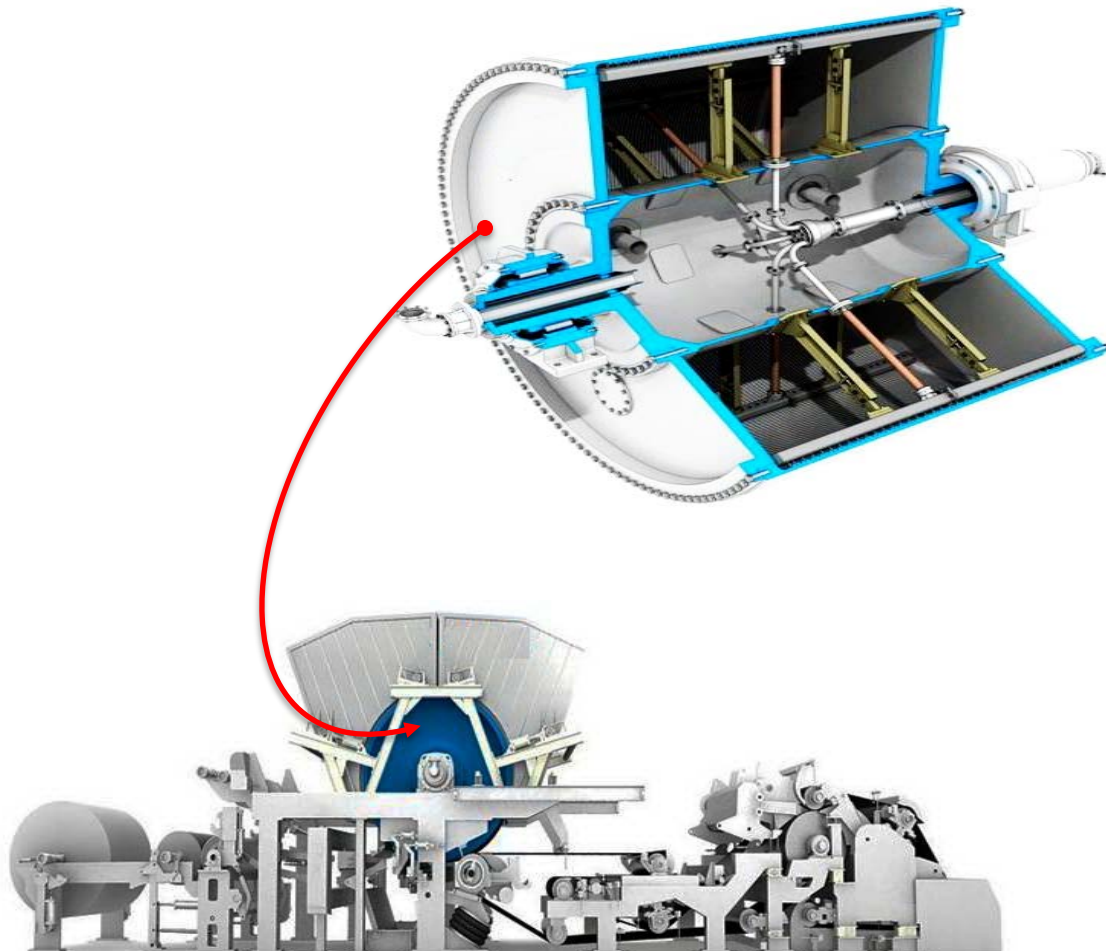
Benefits:

- Single press concept
- Fast felt change
- High dryness 38-40% from press
- Ceramic suction box
- No paper breaks
- Doctors on paper side
- Driven felt roll
- Complete shower



Andritz Dry Steel Yankee

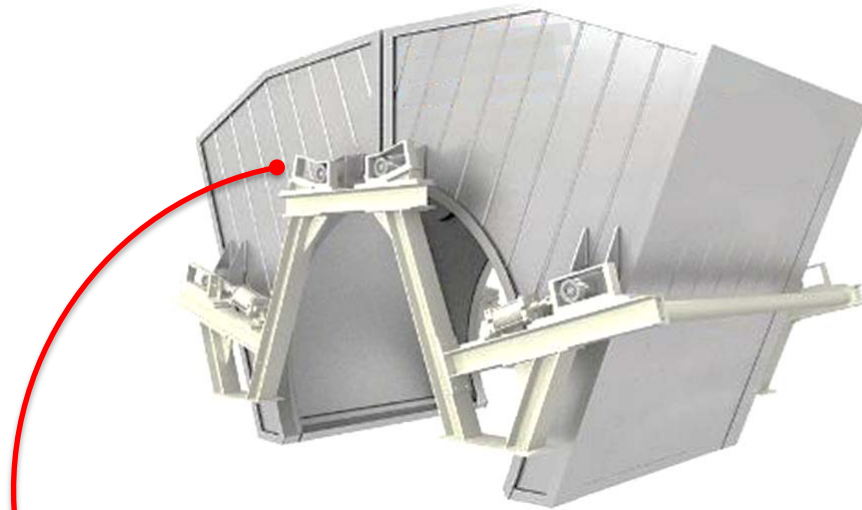
made in Germany



Benefits:

- Steel yankee
- Low steam consumption
- High heat transfer
- No explosion
- Metallized surface coating
- Insulated heads
- Ribbed
- Efficient siphon system
- Turbulence bars
- Self aligning CARB bearing
- Gear driven
- Up to 10 bar rating

Andritz Designed High Efficiency Hood



Benefits:

- Dual air system
- High temperature
- High air velocity
- Low gap clearance to yankee
- High paper bulk



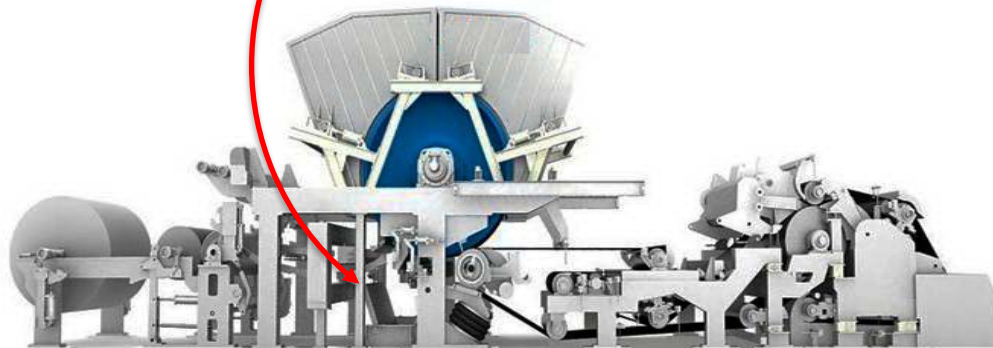
Conformatic Doctors

Made in Canada

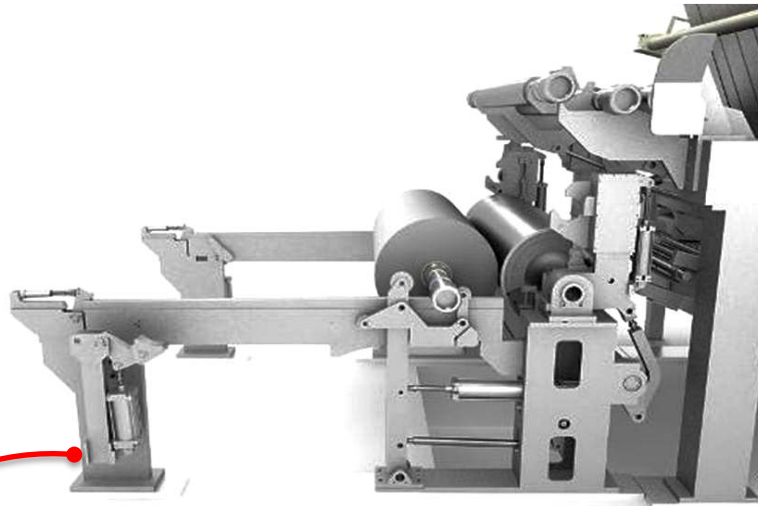


Benefits:

- High quality conformatic doctors
- Protect yankee
- Keep surface clean
- Fast blade change
- Blade magazine
- Good sheet release



Reel



Benefits:

- Auto nip unloading
- Easy roll change
- Large Parent roll 2500 mm Ø
- 3 spool magazine
- Strong braking system
- Safe operation

